

KEY FEATURES

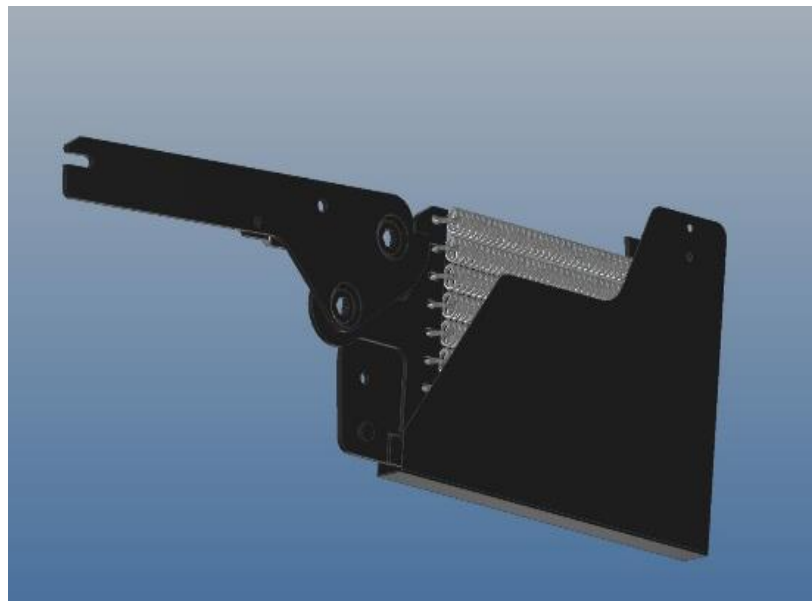
- Light & compact packaging for ease of transport mounts vertically or horizontally Heavy duty, precision manufactured tested to 10,000 cycles Spring balance lift mechanism Designed to accommodate a wide range of bed sizes Adjustable tension to balance.
- Used in The Beta Bed Kit and Alpha wall bed.
- The SBLM Kit is an extremely cost-effective method of building a wall-bed. Instead of purchasing metal frames and slatted lying surfaces from us or leg rods, you can construct the bed frame from timber. The design includes our heavy duty, easy operation lift mechanism. Full instructions are provided.
- The power of the SBLM mechanism is held in reserve until the Panel Bed face is in position then the SBLM is adjusted to bring the bed into perfect balance.
- Designed for everyday use in residential or commercial installation. Balances with fingertip control for ease of operation. Mounts to vertical side walls of cabinet.
- Suitable for any bed size from a small single (2ft 6") up to a super king (6ft) in vertical or horizontal orientation. Maximum recommended load weight is 100kg, although can be increased to 125kg using our "Super Springs".



alpha bed™
Steel Bed Frame

SBLM-A™
Patented Mechanism

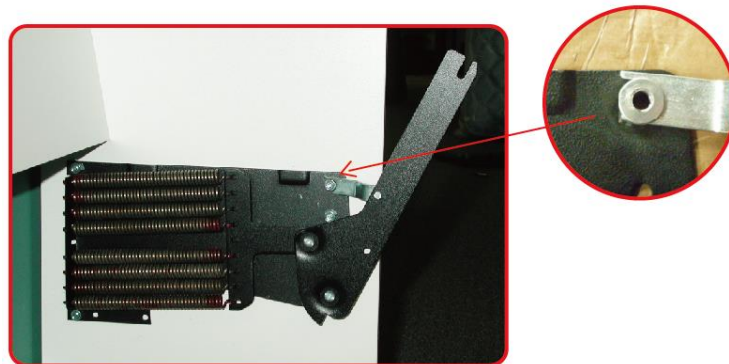
Trip-Free Leg



INSTALLATION

Mounting point for the SBLM with hole positions are shown on the Beta bed manual (page 9). Standard mounting dimensions are show for use with our popular 13" (330mm) leg system. If you require a lower leg height, we have also shown the mounting for the 11" (279mm) leg system in the Alpha manual on page 8. Other leg heights can be used within practical limitations for clearances of your design.

On final installation, the locking device safety feature ensures that the end of the pivoting plated bracket always engages in the T nut when assembling the bed frame. This locks the frame open and is a major safety point. The steel tube is used to lever the mounting arm open during installation, when springs have been installed, and the locking device is engaged and locks. The lock is released when the bed frame is located on the arm and in place and bolted, by pulling the bed frame open slightly. The lock then opens and is released.



SBLM unit shown without cover plate and 8 of the 9 springs fitted, with locking device in operation, prepared for installing front panel, and the complete installation with bolts secured and locking device released safely, with frame in position.

